



***S44e***

**Fixed Mount Barcode Reader**

**User's Manual**

*Version 1.0*

Tel: +41 44 835 20 60

Fax: +41 44 835 20 69

<http://www.ades.ch>

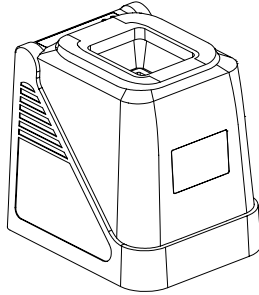
# Contents

---

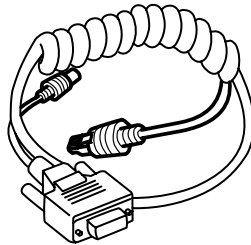
<b>1</b>	<b>Accessories and Options .....</b>	<b>1</b>
<b>2</b>	<b>Warning!.....</b>	<b>2</b>
<b>2.1</b>	<b>CAUTIONS .....</b>	<b>2</b>
<b>2.2</b>	<b>HANDLING PRECAUTIONS .....</b>	<b>3</b>
<b>3</b>	<b>Specification .....</b>	<b>4</b>
<b>4</b>	<b>Get familiar with SCANBAR S44E .....</b>	<b>5</b>
<b>5</b>	<b>Installation and connection of the system .....</b>	<b>1</b>
<b>6</b>	<b>How to read barcode .....</b>	<b>2</b>
<b>7</b>	<b>Common Problems and Troubleshooting.....</b>	<b>3</b>

# Accessories and Options

## 1. SCANBAR S44E Fixed Mount Barcode Reader



## 2. Data Cable



### 3. AC adapter



### 4. User Manual

**Note:** Please examine the standard configuration and accessories when to tear open the casing. Please contact us or appointed dealer if something missing or damaged. And please take the real product for there may be something different between the real one and the one shown in picture.

## 1.1 Cautions

- |   |
|---|
| <ul style="list-style-type: none"><li>■ Dismantle and Install<ul style="list-style-type: none"><li>• Please do not dismantle or refit the device and its components, otherwise the company will not bear the cost of obligation to keep in good repair as if it results in any damage in device.</li></ul></li></ul>  |
| <ul style="list-style-type: none"><li>■ External power<ul style="list-style-type: none"><li>• Please use the power adapter attached to the device, otherwise the device is of a threat to be damaged.</li></ul></li></ul>   |
| <ul style="list-style-type: none"><li>■ Abnormal Conditions<ul style="list-style-type: none"><li>• Keep away from fire. Should the device start to emit smoke or a strange odor or become hot, immediately turn off power and unplug the power cord from the wall outlet, and contact your original dealer or the Center of Client Service? Continued use</li></ul></li></ul> |

creates the danger of fire and electrical shock.

■ Dropping and Damage

- If drop the device and damage it, please immediately turn off power and contact your original dealer or the Center of Client Service.

■ Location

- Do not locate the device on a surface that is unstable or uneven, because that will cause the danger of the device falling, which can cause personal injury.
- Do not locate the device in an area subjected to large amounts of humidity or dust, for it can cause the danger of electrical shock and fire.
- Do not leave the device for long periods somewhere in direct sunlight.

## Handling Precautions

- Please keep the window glass free from dust, and make use of flexible cotton cloth or lens paper to clean it. But do not use detergent or any dissolvent liquid to clean the window glass.

- Do not touch the window glass with something grinding, or it will affect the function to read barcode.

- Sudden temperature changes can cause condensation to form on the device case. Using the device in the present case can interfere with proper operation. Take care to avoid conditions that cause the formation of condensation. If condensation does form, wait for until it dries completely before using the device again.

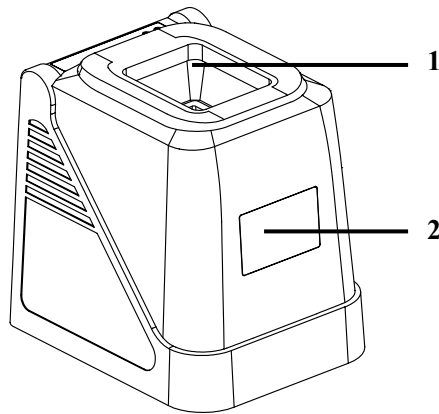
# Specification

Communication	RS232
Configure Software	Quickset 2*
Power	Power supply: DC5.6V, 1.5A AC Power: AC100~240V, 50~60HZ
Dimensions	132mm(L) X 76mm(W) X 147mm(H)
Weight	300g
Consumption	2.2W ( Max )
Scan Module	CMOS
Scan Distance	0 ~ 10mm
Precision	6.6 ~ 20.0 mil
Symbologies	1D : CODE128 、 UCCEAN-128 、 EAN-8 、 EAN-13 、 UPC-E 、 UPC-A 、 INTERLEAVED 2 OF 5 、 ITF14 、 ITF6 、 MATRIX25 、 CODE39 、 CODABAR etc.

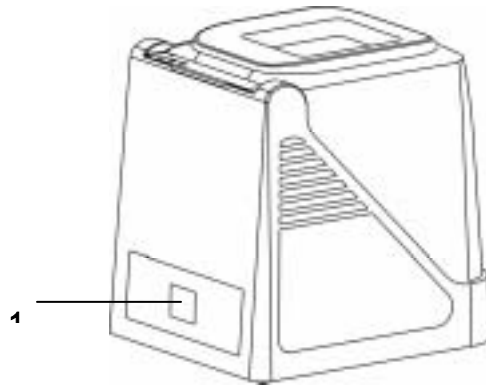
	2D : PDF417, QR, DataMatrix etc.
Operating Temperature	-5C°to +45 C°°
Operation Humidity	5% - 95% ( non-condensing )
Ambient Light	0 ~ 100,000 Lux

## Get familiar with SCANBAR S44E

### ■ 1.2 The front of SCANBAR S44E



### 1.3 The back of SCANBAR S44E



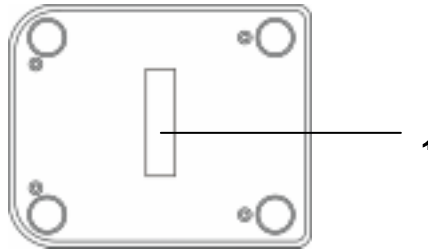
1. RJ45 socket

1. Optics lens and lighting window

2. Product label

### 1.4

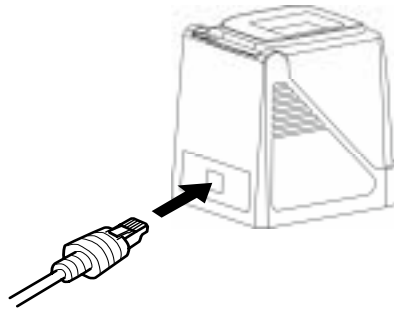
### Bottom of SCANBAR S44E



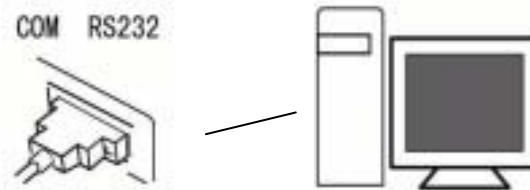
## Installation and connection of the system

6.1 Install on PC the software for reader configuration and barcode reading (you can write the software yourself) and this software can be downloaded from our website [www.nlscan.com](http://www.nlscan.com) for free.

6.2 Connect the RJ45 plug of the communication cable to the back of the reader, and make sure they connect tightly.



6.3 Connect the RS-232 cable to the nine-pin RS-232 port on PC.



6.4 Connect the power supply as shown below:



6.5 Finally plug the AC adapter to AC power socket.

6.6 2-3 seconds after power supply, the buzzer inside the reader will beep several tones to give a hint, while a red indicator flashes light at the rear of the reader, which means the reader is in the state of operation.

#### How to read barcode

6.1 Please light on the backlight of your mobile phone before reading. Then put your mobile phone on the reader like the picture below.



6.2 When a barcode has been read correctly, the buzzer will beep, and the reader into standby mode.

## Common Problems and Troubleshooting

Malfunction Description	Simple way to remove
Program crash	1. Remove power adapter, and reconnect).
Unable to show what it reads	1. Check whether the parameter setup (COM port and baud rate) is correct.
Unable to read barcode	<ol style="list-style-type: none"><li>1. Whether the way to read barcode is wrong. For the correct way to read barcode please refer to corresponding section of this manual.</li><li>2. Whether the type of barcode has been set readable.</li><li>3. Whether the barcode is damaged. If the extent of the damage goes beyond the reading capacity of the reader itself, the barcode will be unreadable.</li></ol>

**Note:** if it is necessary to get the setting code corresponding to the reader, please contact your dealer or us directly.